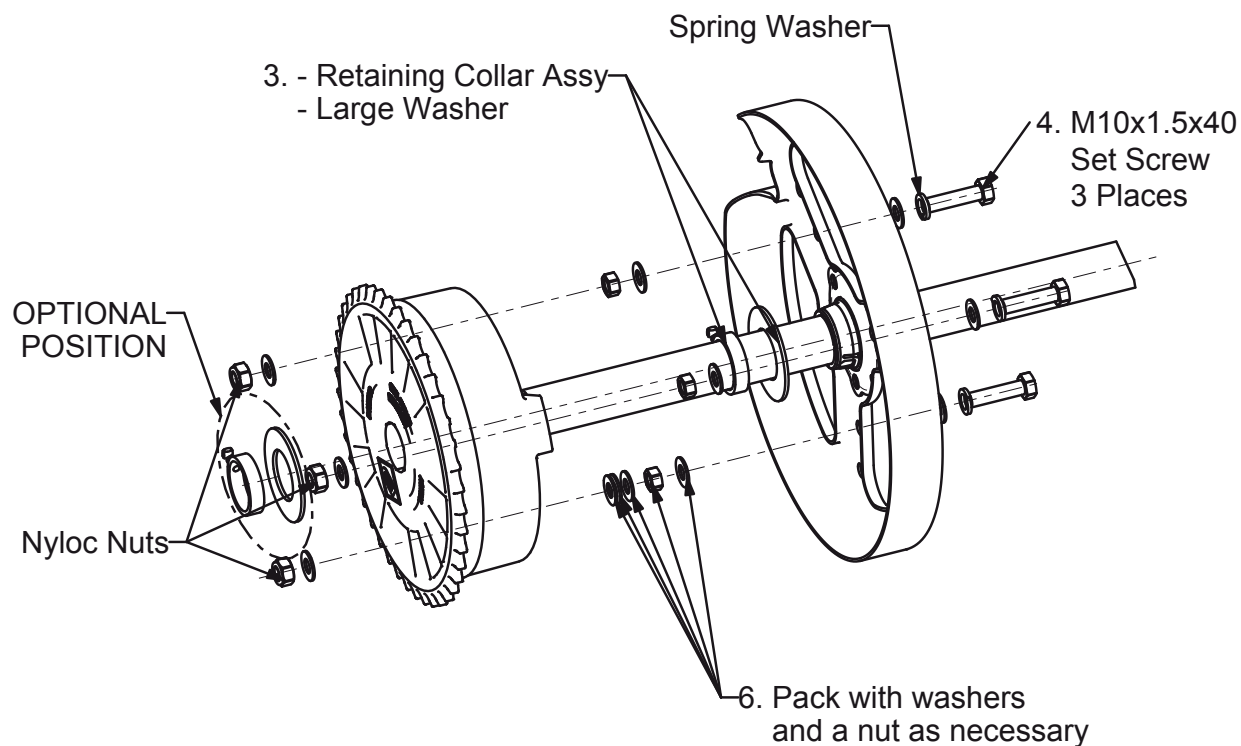
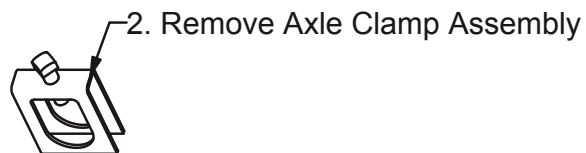


43 Teeth Plastic Sprocket RAD Industrial



Installation Steps

1. Position Door for clear access to the end of the axle and drum.
2. Remove Axle Clamp Assembly.
3. Fit Retaining Collar Assy and tighten set screw (prevents end float).
4. Fit M10 bolts secured with washers, a spring washer and a nut.
5. Fit 43T plastic sprocket and check alignment.
6. Pack with washers and a nut as necessary (to align Sprocket to Axle).
7. Secure 43T Sprocket with washers and nyloc nuts.

Sprocket 43T Drum Adaptor Pack (P/N 92236) contains:

Part No.	Description	Qty
92585	Plastic Sprocket 43T 10B	1
92627	Carton	1
92484	Packaging Label	1
92649	Instruction Manual	1
92529	Sprocket Adaptor Hardware Pack	1

Sprocket Adaptor Hardware Pack (P/N 92529) contains:

Part No.	Description	Qty
11010	Flat Washer I.D.10	6
10940	Spring Washer I.D.10	3
10050	Hex Head Screw M10 x 40	3
10149	Hex Serration Flange Nut M10	3
10850	Nilock Nut M10	3
61960	Collar Kit	1