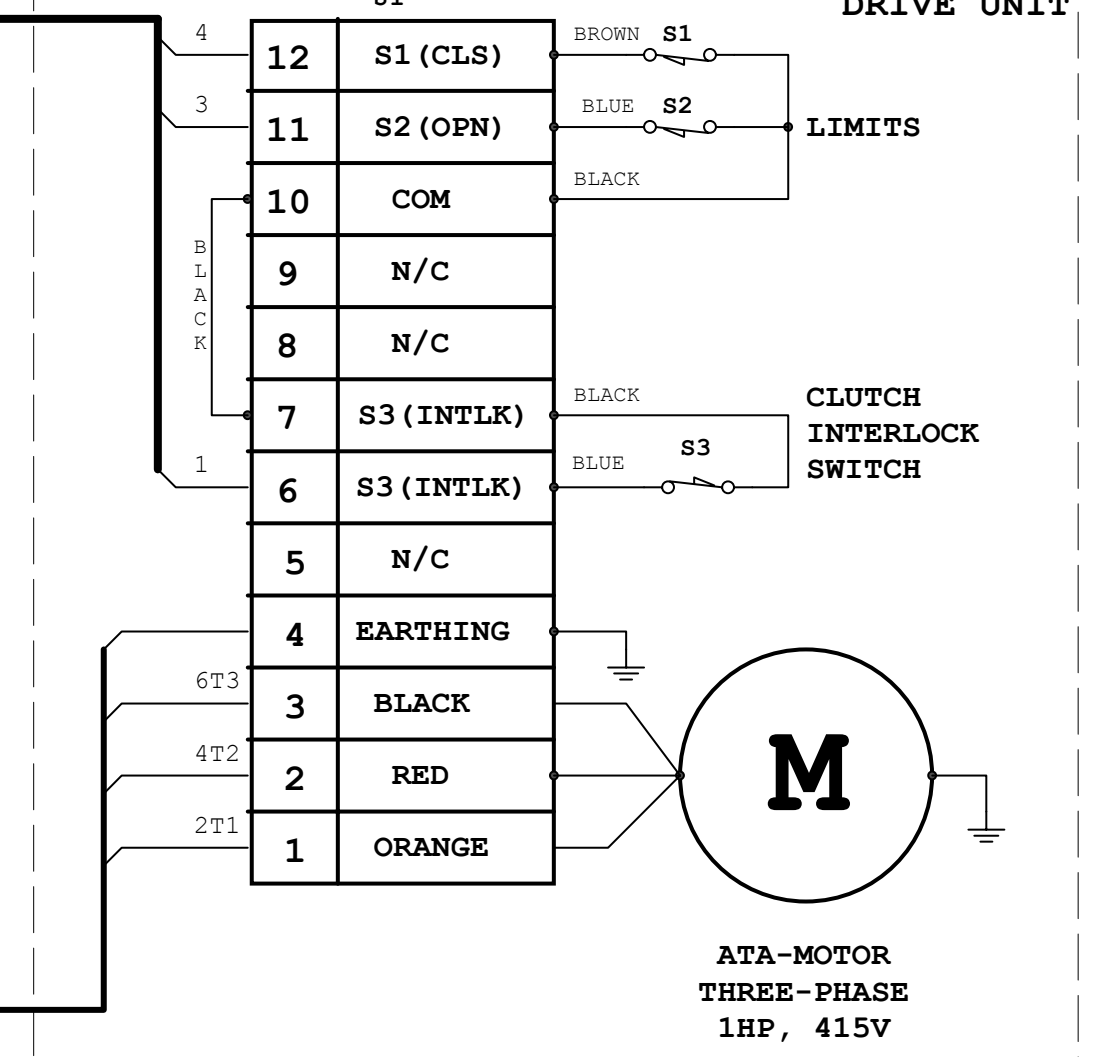
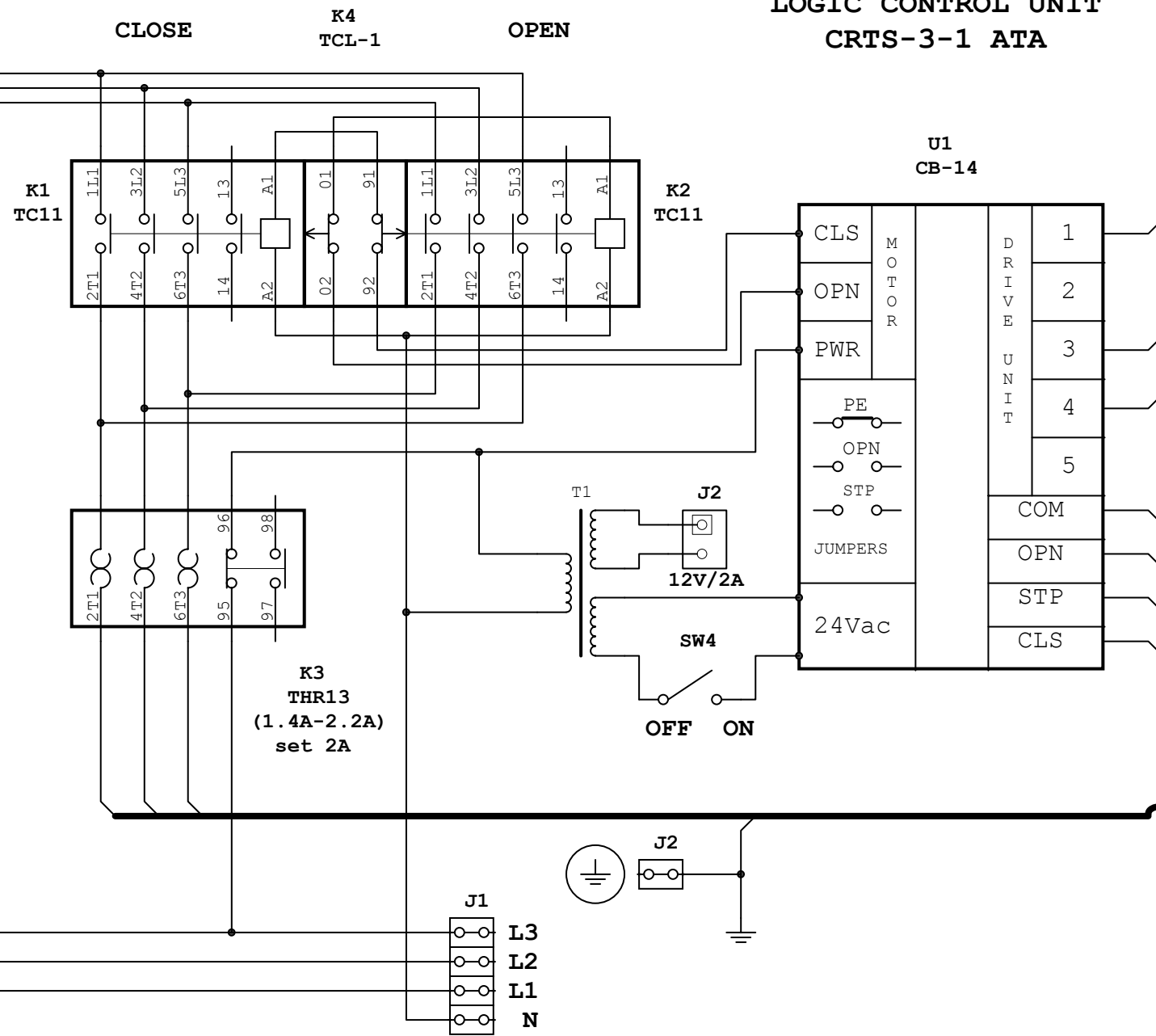


**LOGIC CONTROL UNIT
CRTS-3-1 ATA**

DRIVE UNIT



NOTE: 1. Wiring as shown are for right hand installation.
2. SW4 two position key switch.

