

CRX Series Stand Alone Receiver Instructions

Thank you for purchasing the ATA CRX Series SecuraCode® Stand Alone Receiver. Familiarise yourself with the following instructions prior to commencing set up. Store this information in a safe place for future reference.

OPERATION

The CRX series receivers have relays on board which provide normally open or normally closed contact for controlling virtually any electronic device. The relays can be programmed to any of three modes - pulse, hold or timer. One or both relays can be programmed with any of the three modes.

SETTING RELAY OPERATING MODES

Pulse Mode - Relay contact is active whilst transmitter button is pressed.

Hold Mode - Relay changes state at each press of transmitter button. Hold, Release, Hold, etc. (like an on/off switch).

Timer Mode - Relay will remain active for the programmed duration.

Note: Timer mode is selectable only with the ATA Programmer. Refer to the Programmer's manual for instructions on setting Timer mode.

RELAY-1 Pulse Mode - Remove JP1 jumper or do not bridge the two pins.

RELAY-1 Hold Mode -Bridge the two pins on JP1 jumper.

RELAY-2 Pulse Mode - Remove JP1 jumper or do not bridge the two pins.

RELAY-2 Hold Mode -Bridge the two pins on JP1 jumper.

UNIVERSAL PROGRAMMER

An ATA Universal Programmer can be used to program modes and store transmitter codes from the receiver. For more details please contact ATA.

STORING TRANSMITTER CODE

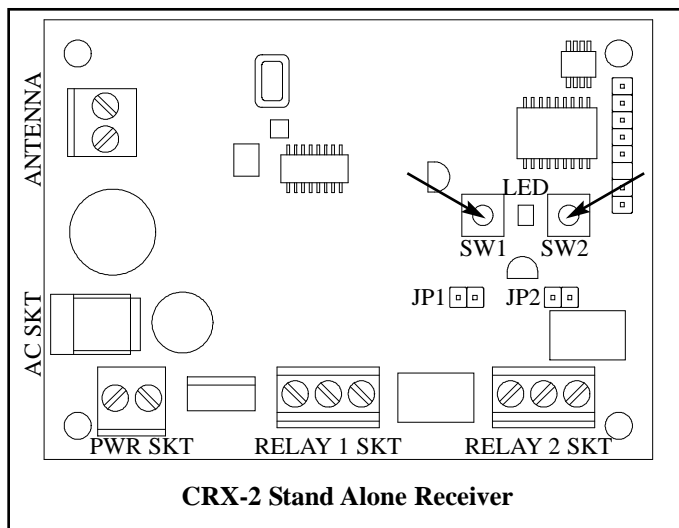
Make sure to install the battery in the transmitter correctly.

1. Press and hold SW1 (for Relay 1) or SW2 (for Relay 2) on the receiver board.
2. Press the transmitter button you would like to use to control the device for two seconds.
3. Release the transmitter button and pause for two seconds. Press the same button again for two seconds.
4. Release SW button.
5. Press the transmitter button to test operation.

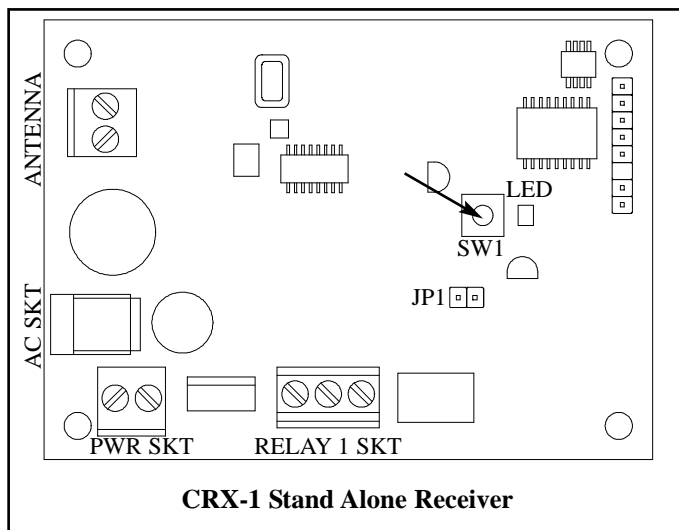
Note: To remove a single transmitter's code from the receiver memory repeat steps 1-5 above .

DELETING ALL STORED TRANSMITTER CODES

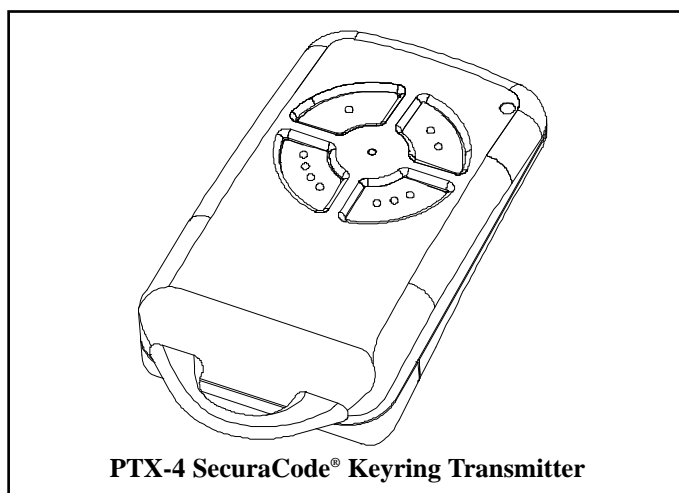
1. Turn the power off to the receiver.
2. Press and hold SW1 button.
3. While holding SW1 turn power on again. After 15 seconds the Coding LED will illuminate to indicate that the receivers memory has been cleared.
4. Release SW1. All the stored codes should now be deleted. Confirm this by pressing the transmitters previously used to operate the device. There should be no response.



CRX-2 Stand Alone Receiver



CRX-1 Stand Alone Receiver



PTX-4 SecuraCode® Keyring Transmitter

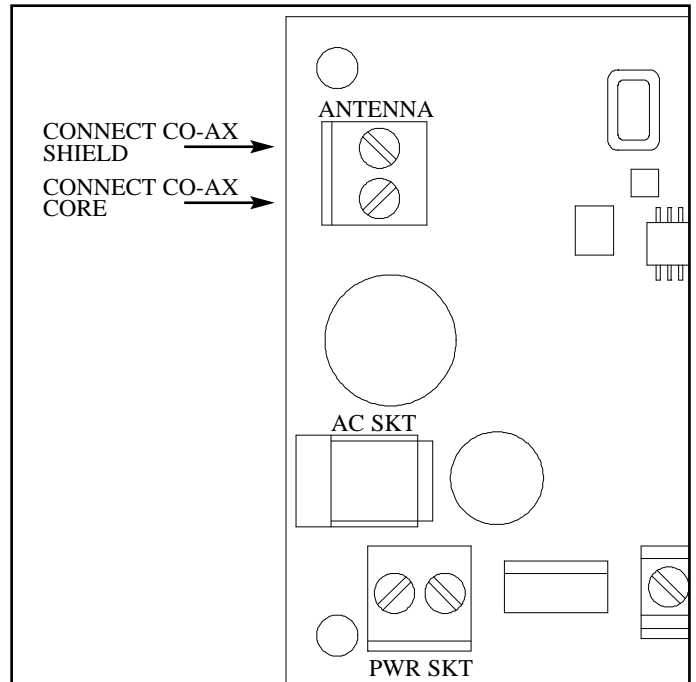
SPECIFICATIONS

Power Supply:	12V-24V AC or DC
Frequency:	433.92MHz
Memory Capacity:	111 Transmitters
Programmable Modes:	Pulse, Hold, Timer*
Controlling Outputs (CRX-1):	1 x Common 1 x Normally Open 1 x Normally Closed

N.B. CRX-2 has two relays and two of each controlling output
Relay Contact Rating: 1 amp @ 24 volts DC
Antenna Wire Length**: 170mm

*Timer mode available with ATA's Universal Programmer.

** An optional co-axial antenna is available for use with the receiver in difficult reception areas. The antenna has to be mounted as high as possible so that it is not obstructed, e.g. on top of a fence, or on a wall at the front of a garage, etc. Connect the core of co-axial lead to replace the existing antenna wire (inner screw socket). Connect shield to the spare (outer) screw socket.



1. This warranty is an addition to any non-excludable conditions or warranties that are implied into this contract by relevant statute, including the Trade Practices Act 1974 (Cth).
2. Subject to all of the matters set out below, Automatic Technology Australia Pty Ltd ("ATA") warrants:
 - (a) swing and sliding gate opener drive units for twelve (12) months or 2500 cycles, whichever occurs first;
 - (b) roll-up and overhead door opener drive units for twenty four (24) months or 5000 cycles, whichever occurs first; and
 - (c) all components and accessories for twelve (12) months, from the date of purchase (specified in the sales docket receipt) as free of any defects in material and workmanship.
3. This warranty applies only where the purchaser:
 - (a) immediately notifies ATA or the retailer of the alleged defect;
 - (b) returns the product to the retailer; and
 - (c) presents the relevant sales docket and this warranty document to the retailer to confirm the date of purchase.
4. Except for this warranty, ATA gives no warranties of any kind whatsoever (whether express or implied), in relation to the product, and all warranties of whatsoever kind relating to the product are, to the extent permissible by statute, hereby excluded.
5. To the extent permissible by statute, ATA disclaims any liability of whatsoever nature in respect of any claim or demand for loss or damage which arises out of:
 - a) accidental damage to or normal wear and tear to the product or to the product's components;
 - b) any cost relating to damage resulting from wear and tear;
 - c) blown fuses, loss or damage caused by electrical surges, power surges or power spikes;
 - d) loss or damage due to theft, fire, flood, rain, water, lightning, storms or any other acts of God;
 - e) maximum continuous operating time exceeding one (1) minute in ten (10);
 - f) maximum operating force exceeding 15Kg (150N) when moving the door or gate manually to the open or closed position;
 - g) door surface area and/or weight exceeding 15m² and 100Kg respectively;
 - h) residential gate weight exceeding 400Kg;
 - i) door or gate not in safe and correct working order and condition;
 - j) evidence of unauthorised repairs;
 - k) any cost relating to damage caused by misuse, negligence or failure to maintain the equipment in a proper working order as per clauses (d) through (i);
 - l) installation, adjustment or use which is not in accordance with the instructions set out in installation instruction manual;
 - m) attempted or complete modification or repairs to the product carried out by a person who is not authorised or has not been trained by ATA to carry out such modification or repairs;
 - n) faulty or unsuitable wiring of structure to which the product is fixed or connected;
 - o) radio (including citizen band transmission) or any electrical interference;
 - p) damage caused by insects;
 - q) loss or damage to any property whatsoever or any loss or expense whatsoever resulting or arising there from or any consequential loss;
 - r) any cost or expense arising due to manufacturer recall of any product;
 - s) any cost or expense due to negligence of the approved service provider;
 - t) installation of a residential garage door or gate opener in a commercial or industrial situation or a non-single residential dwelling.
6. ATA's liability under this warranty is limited, at ATA's absolute option, to replacing or repairing the product which ATA, in its unfettered opinion, considers to be defective either in material and/or workmanship or to credit the dealer with the price at which the product was purchased by the dealer.
7. This warranty does not extend to cover labour for installation.
8. This warranty is limited to Return-to-Base (RTB) repair and does not cover labour for on-site attendance.
9. This warranty is void if the Product is not returned to the manufacturer in original or suitably secure packaging.
10. This warranty is only applicable for repairs to the product carried out within Australia.
11. This warranty does not cover consumable items including globes, batteries and fuses.
12. This warranty is not transferable.
13. Where the Product is retailed by any person other than ATA, except for the warranty set out above, such person has no authority from ATA to give any warranty or guarantee on ATA's behalf in addition to the warranty set out above.

Notes:

1. One (1) cycle = one (1) open and one (1) close action of the door or gate.
2. This warranty is to be read in conjunction with the owner's copy of the installation instruction manual.

Automatic Technology Pty Ltd
6-8 Fiveways Boulevard Keysborough Vic 3173 Australia
T: +61 3 97910200 F: +61 3 97910250
E: sales@ata-aust.com.au W: www.ata-aust.com.au