



Wireless Digital Keypad

TrioCode® KPX-6

TrioCode® Wireless Digital Keypad is designed for use with automatic garage door and gate openers. The TrioCode® format provides unparalleled security with more than 99 million different codes. To operate, the user enters their unique pin code on the KPX-6 keypad (4 to 8 digits long) followed by the hash (#) key. The user then presses one of the eight available channels.

Familiarise yourself with the following instructions prior to commencing set up. Store this information including your new pin code in a safe place for future reference.

Initial Set Up

The Keypad is supplied with a factory preset code (1111) which must be changed to a new pin code before the Keypad will operate. The pin code can be any 4-8 digits number except 1111.

Storing your pin number

Note: There is a timeout of approximately 5 seconds after the last button is pressed.

- Enter 1111 followed by the hash (#) key.
- Press and hold the hash (#) key again. The keypad will beep for approximately 5 seconds. Once the beeping stops, release the hash (#) key. Enter the new pin code followed by the hash (#) key. Re-enter the new pin code followed by the hash (#) key to confirm. A short string of beeps will be produced to confirm the acceptance of the new pin code.
- Test operation using the new code. Enter the new code followed by the hash (#) key. Press and hold any button from 1-8 and you should hear a continuous string of beeps.

NOTE: If you lose or forget a code, you will need to return the Keypad to Automatic Technology for reprogramming. A charge will apply for this service.

Coding The Keypad Into The Opener

- Press and hold the Door Code button on the control panel of your Automatic Technology TrioCode® garage door opener (**Fig. 02**) or SW1/SW2 on the TrioCode® receiver board (**Fig. 03**).
- Enter your pin code on the Keypad of the KPX-6 followed by the hash (#) key then press one of the eight (channel) buttons you wish to use to operate the door or gate etc.
- Pause for a second and press the same button again on the Keypad of the KPX-6.
- Release the Door Code or SW button. The Keypad code should now be stored into the opener's memory.
- Test the operation of the Keypad by entering your pin code followed by the hash (#) key and the stored channel button (1-8). The door or gate should start to move.

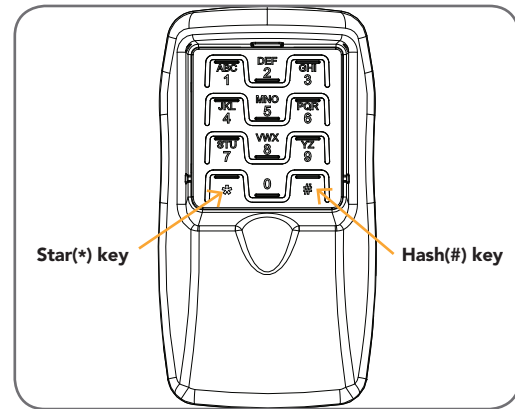


fig 01

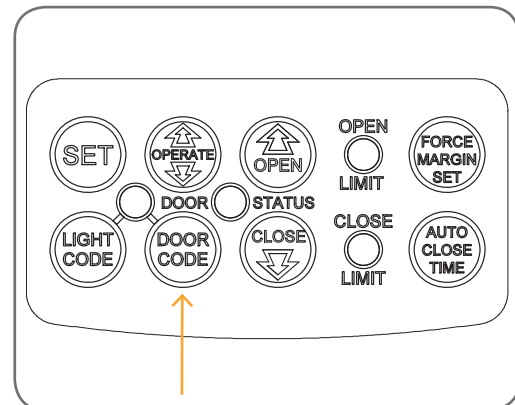


fig 02

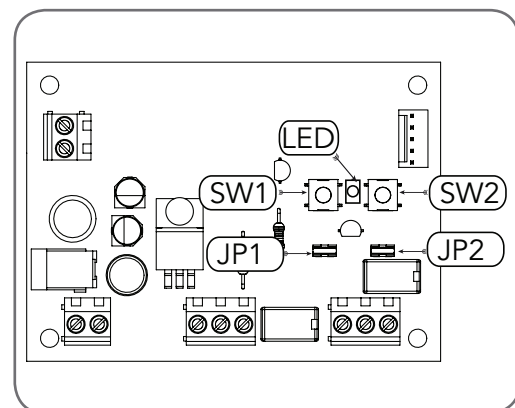
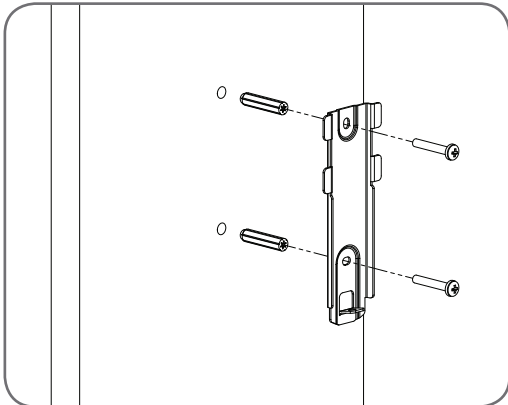


fig 03



fig 04



Attaching The KPX-6 To The Wall

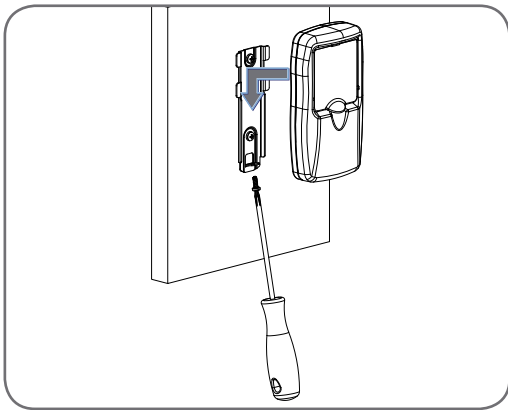
- Choose a convenient wall location where the door is visible, but out of reach of children at a height of at least 1.5 meters from the floor.
- Use the mounting bracket as a template. Mark and drill two 6mm holes and affix the mounting bracket with two wall plugs and screws (supplied) as shown in **Fig 04**.
- Slide the KPX-6 on to the mounting bracket and secure it with a screw as shown in **Fig 05**.

Changing the Pin Code

Note: There is a timeout of approximately 5 seconds after the last button is pressed.

- Enter your current pin code followed by the hash (#) key.
- Press and hold the hash (#) key again. The keypad will beep for approximately 5 seconds. Once the beeping stops, release the hash (#) key. Enter the new pin code followed by the hash (#) key. Re-enter the new pin code followed by the hash (#) key to confirm. A short string of beeps will be produced to confirm the acceptance of the new pin code.
- Test operation of the Keypad by entering your pin code followed by the hash (#) key and the stored channel button (1-8). The door or gate should start to move.

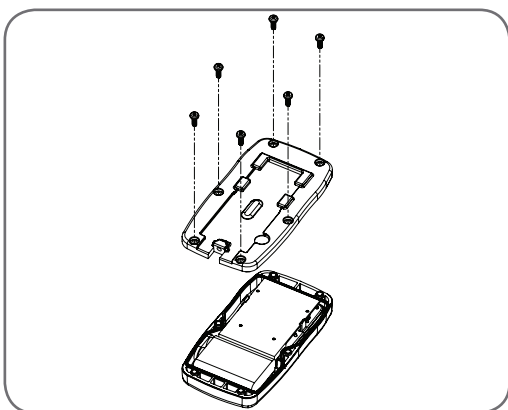
fig 05



Wrong Pin Code

If a wrong pin code is entered, a specific sound is heard after pressing the hash (#) key. The star (*) key must be pressed to start re-entering the pin code. On the fourth consecutive wrong pin code entry, an alarm (light blinks and sound beeps) is triggered for 10 seconds. Every next wrong pin code entry will trigger the alarm. The time out for the wrong pin code is one minute.

fig 06



Back Light

The KPX-6 Keypad has built-in keypad lighting for use at night or in the dark areas. The keys are backlit with a pleasing green glow. The user can light the keypad by pressing the star (*) or the hash (#) keys before entering the pin code. The light will turn off after five seconds if none of the buttons are pressed. This saves the battery power.

Battery Monitor

The KPX-6 Keypad has a built-in battery monitor. If the battery power is low, the first depress of any key will produce a distinctive warning. If the battery voltage drops further, the Keypad will stop transmitting and will produce a continuous long beep.

Changing Batteries

- Remove the back cover of the KPX-6 by removing the six screws as shown in **Fig 06**.
- Remove the three (3) batteries and dispose of them properly.
- Install fresh AAA size batteries.
- Replace the back cover.
- Install the six cover screws.

