

Multi-Frequency Receivers

FHCRX-1V2, FHCRX-2V2 and FHRX-2V2 Installation Instructions

Thank you for purchasing an ATA Receiver. Familiarise yourself with the following instructions prior to commencing set up. Store this information in a safe place for future reference. There are 2 types of Multi-Frequency Receivers;

a. The FHCRX-1 or FHCRX-2 series receivers have relays on board which provide normally open or normally closed contact for controlling virtually any electronic device including garage doors and gate openers. The relays can be programmed to any three modes - pulse, hold or timer. One or both relays can be programmed with any of the three modes.

NOTE: Timer mode is select able only with the ATA Programmer. Refer to the Programmer's manual for instructions on setting Timer mode.

b. The FHRX-2 receiver has transistors on board which provide an open collector contact for controlling virtually any electronic garage door or gate.

SETTING RELAY OPERATING MODES (FHCRX-1V2 and FHCRX-2V2)

Pulse Mode - Relay contact is active whilst transmitter button is pressed.

Hold Mode - Relay changes state at each press of transmitter button. Hold, Release, Hold, etc. (like an on/off switch).

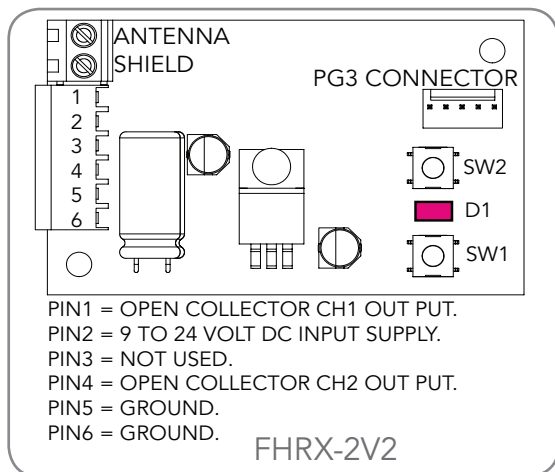
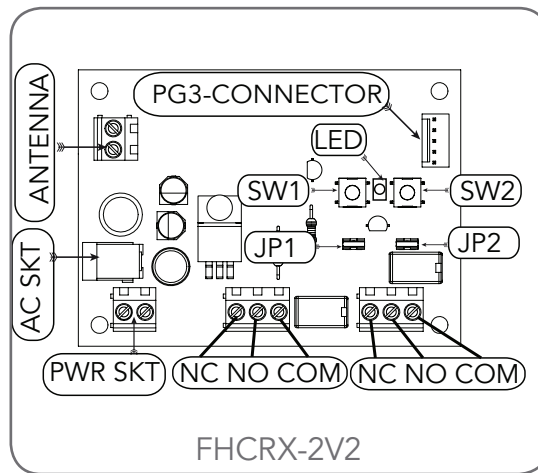
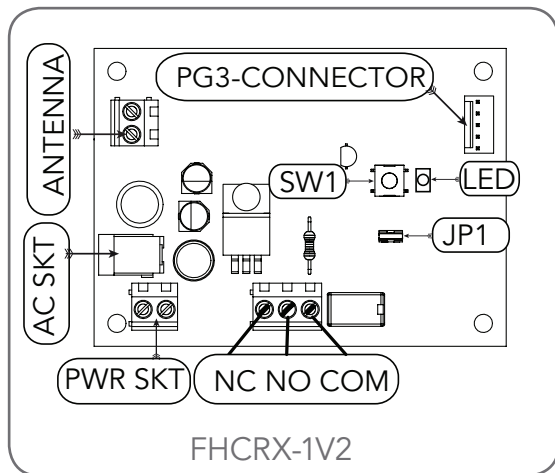
Timer Mode - Relay will remain active for the programmed duration.the timer is adjustable from 0 seconds to 655.34 seconds in .01second steps

RELAY-1 Pulse Mode - Remove JP1 jumper or do not bridge the two pins.

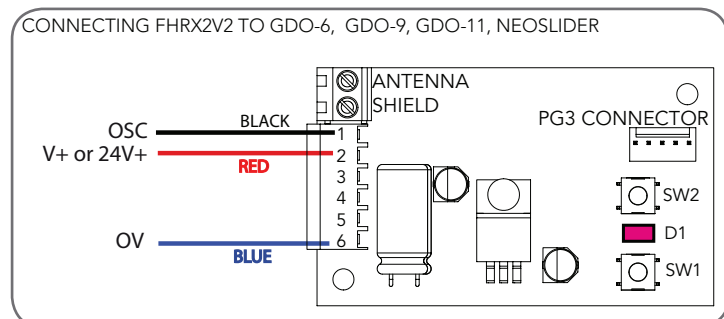
RELAY-1 Hold Mode - Bridge the two pins on JP1 jumper.

RELAY-2 Pulse Mode - Remove JP2 jumper or do not bridge the two pins.

RELAY-2 Hold Mode - Bridge the two pins on JP2 jumper.



HOW TO CONNECT FHRX-2V2 RECEIVER WITH ATA HARNESS TO DOOR/GATE OPENERS:



TRIOCODE™128 TECHNOLOGY

Only transmitters with the TrioCode™128 Technology can operate with the latest Receivers, reducing the chance of interference from other radio frequency sources. TrioCode™128 transmitters have the ability to code into earlier model receivers.

Every time a transmitter is used a new security code is generated from over 100 billion possible code combinations. This greatly enhances the security of the system and makes "code grabbing" a thing of the past!

UNIVERSAL PROGRAMMER

An ATA Universal Programmer can be used to set timer (adjustable from 0.00 to 655.34 seconds), Edit, back up /restore transmitters.

STORING TRANSMITTER CODE

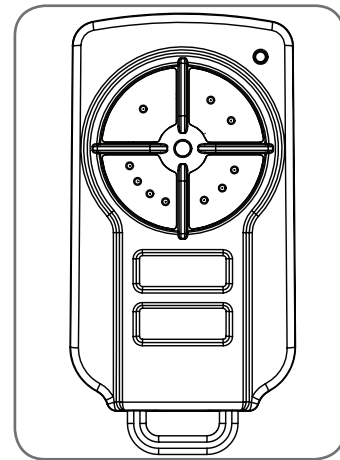
- a. Press and hold;
 - i. FHCRX-1 and FHCRX-2: SW1 (for Relay 1) or SW2 (for Relay 2) on the receiver board
 - ii. FHRX-2: SW1 (for Channel 1) or SW2 (for Channel 2) on the receiver board.The led will start to flash
- b. Press the transmitter button you would like to use to control the device for two (2) seconds. The led will start to flash faster.
- c. Release the transmitter button and pause for two (2) seconds. Press the same button again for two (2) seconds. The led stays on for a second and turns off.
- d. Release SW button.
- e. Press the transmitter button to test operation.

DELETING A SINGLE TRANSMITTER'S CODE

- a. Press and hold;
 - i. FHCRX-1 and FHCRX-2: SW1 (for Relay 1) or SW2 (for Relay 2) on the receiver board
 - ii. FHRX-2: SW1 (for Channel 1) or SW2 (for Channel 2) on the receiver board.The led will start to flash
- b. Press the transmitter button you would like to remove from receivers memory for two seconds. The led will start to flash faster.
- c. Release the transmitter button and pause for two seconds. Press the same button again for two seconds. The led will slowly flash two times
- d. Release SW button.
- e. Press the transmitter button to confirm that it has been removed.

DELETING ALL STORED TRANSMITTER CODES

- a. Turn the power off to the receiver.
- b. Press and hold SW1 button.
- c. While holding SW1 turn power on again. After 15 seconds the Coding LED will illuminate to indicate that the receivers memory has been cleared.
- d. Release SW1. All the stored codes should now be deleted. Confirm this by pressing the transmitters previously used to operate the device. There should be no response.



TrioCode™128

IMPORTANT NOTE: Only TrioCode™128 Technology Transmitters are compatible with these products.

SPECIFICATIONS

Technical Specifications	FHCRX-1V2 and FHCRX-2V2	FHRX-2V2
Power supply	12V - 24V AC or DC	9V - 24V DC ONLY
Frequency	Multi Frequency	Multi Frequency
Memory Capacity	250 Transmitters	250 Transmitters
Programmable Modes:	Pulse, Hold, Timer*	
Controlling Outputs	FHCRX-1V2 1 x Common 1 x Normally Open 1 x Normally Closed FHCRX-2V2 2 x Common 2 x Normally Open 2 x Normally Closed	Output 1: Open collector output at pin one for channel one (40 dc volts 100 ma max) Output 2: Open collector output at pin four for channel two (40 dc volts 100ma max)
Relay Contact Rating	1 amp @ 24 volts DC	N/A
Antenna Wire Length**	170mm	170mm

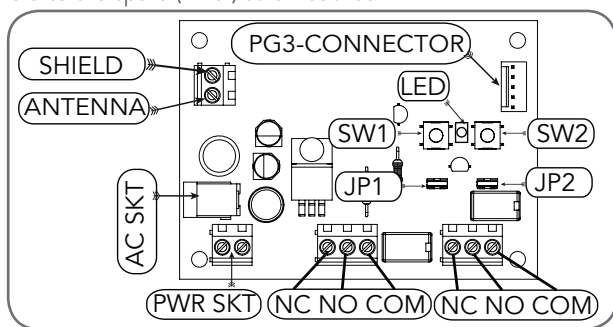
*Timer mode available with ATA's Universal Programmer.

** An optional co-axial antenna is available for use with the receiver in difficult reception areas. The antenna has to be mounted as high as possible so that it is not obstructed, e.g. on top of a fence, or on a wall at the front of a garage, etc. Connect the core of co-axial lead to replace the existing antenna wire (inner screw socket). Connect shield to the spare (outer) screw socket.

OPTIONAL EXTRAS

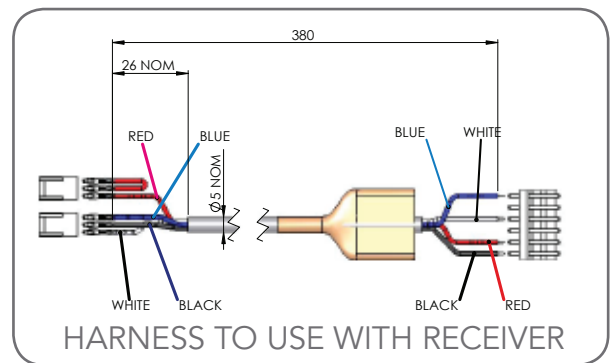
CO-AXIAL CONNECTION

An optional coaxial antenna is available for use with the receiver in difficult reception areas. The antenna has to be mounted as high as possible so that it is not obstructed, e.g. on top of a fence, or on a wall at the front of a garage, etc. Connect the core of coaxial lead to replace the existing antenna wire (outer screw socket). Connect shield to the spare (inner) screw socket.



HARNESS

The harness to connect receiver to the opener can be bought from ATA (Order code #01905). User may have to cut and strip wires to connect to different openers. Cut and leave white wire if the second channel is not used.



Warranty and Exclusion of Liability

1. This Warranty is given by Automatic Technology (Australia) Pty Ltd (ABN 11 007 125 368) (ATA), 6-8 Fiveways Boulevard, Keysborough 3173, 1300 133 944, sales@ata-aust.com.au
2. The Competition and Consumer Act 2010 (including the Australian Consumer Law) and other relevant statutes provide a set of statutory consumer guarantees and other legal rights that cannot be excluded, restricted or modified by contract. This Warranty is in addition to and does not affect any of your rights under the Australian Consumer Law and other relevant statutes.
3. Our goods come with guarantees that cannot be excluded under the Australian Consumer Law. You are entitled to a replacement or refund for a major failure and for compensation of any other reasonably foreseeable loss or damage. You are also entitled to have the goods repaired or replaced if the goods fail to be of acceptable quality and the failure does not amount to a major failure.
4. Subject to your non-excludable rights under the Australian Consumer Law, ATA expressly excludes any liability for consequential loss, incidental or indirect damages (including but not limited to damages for loss of business profits, business interruption and loss of business information) due to a defect of the product. In particular any loss or damage caused to other equipment or accessories used with the product or any loss resulting from a delay in repair is excluded to extent permitted by law.
5. Subject to all of the matters set out below, ATA warrants in relation to the Product that:
 - (a) The Product's other components and accessories will be free of any defects in material and workmanship for at least 12 months after the date of purchase (as evidenced by the sales docket receipt).
 - (b) No additional warranty will apply for Products repaired during the relevant warranty period.
 - (c) For all Products repaired outside the warranty period, a six (6) month warranty that the Product will be free of any defects in material and workmanship will apply from the date of dispatch of the Product to you. ATA may charge you for any repairs undertaken outside the warranty period, and will provide you with a quotation in relation to any such costs for your approval before proceeding with any repairs.
6. This Warranty applies only where you:
 - (a) immediately notify ATA at the contact details provided in paragraph 1 above or notify the or the retailer that you purchased the Product from of the alleged defect;
 - (b) return the product to the retailer that you purchased the Product from; and
 - (c) present the relevant sales docket and this Warranty document to the retailer to confirm the date of purchase.
7. Except for this Warranty, ATA gives no warranties of any kind whatsoever (whether express or implied), in relation to the product, and, subject to paragraph 1 above, all warranties of whatsoever kind relating to the product are hereby excluded.
8. This Warranty excludes damage resulting from:
 - (a) normal wear and tear;
 - (b) accidental damage;
 - (c) incorrect installation of the Product;
 - (d) blown fuses, electrical surges, power surges or power spikes;
 - (e) theft, fire, flood, rain, water, lightning, storms or any other acts of God;
 - (f) any installation, configuration or use of the Product contrary to the instructions supplied with the Product;
 - (g) maximum continuous operating time exceeding 1 minute in 10;
 - (h) the door used with the Product not being in safe working order and condition;
 - (i) repairs which are not authorised by ATA;
 - (j) any failure to install or maintain the Product in accordance with the instructions supplied with the Product;
 - (k) any use which is not in accordance with the instructions provided with the Product;
 - (l) deliberate or negligent damage to the Product;
 - (m) any unauthorised modification to the Product;
 - (n) faulty or unsuitable wiring in the building in which the Product is installed;
 - (o) damage caused by insects;
 - (p) any cost or expense relating to the recall of the Product;
 - (q) radio or electrical interference; or
 - (r) acts or omissions of any person (including service providers approved by ATA) other than ATA.
9. ATA's liability under this Warranty is limited, at ATA's absolute option, to replacing or repairing the product which ATA, in its unfettered opinion, considers to be defective either in material and/or workmanship or to credit the dealer with the price at which the product was purchased by the dealer.
10. This Warranty does not extend to cover labour for installation of the Product following repairs, the cost of which must be borne by you.
11. This Warranty is limited to Return-to-Base (RTB) repair and does not cover labour for on-site attendance, the cost of which must be borne by you.
12. Except as specified in this Warranty, ATA will not charge you for any repairs or replacements conducted under the Warranty. However, ATA will charge you for any repairs which are not within the scope of this Warranty (or which are not required to be undertaken free of charge pursuant to the Australian Consumer Law).
13. This Warranty is void if the Product is not returned to the manufacturer in original or suitably secure packaging.
14. This Warranty is only applicable for repairs to the product carried out within Australia.
15. This Warranty does not cover consumable items including, without limitation, globes, batteries and fuses.
16. This Warranty is not transferable.
17. Where the Product is retailed by any person other than ATA, except for the warranty set out above, such person has no authority from ATA to give any warranty or guarantee on ATA's behalf in addition to the warranty set out above.
18. Any provision of this Warranty that is prohibited or unenforceable in any jurisdiction is ineffective as to that jurisdiction to the extent of the prohibition or unenforceability. That does not invalidate the remaining provisions of this Warranty nor affect the validity or enforceability of that provision in any other jurisdiction.
19. Products presented for repair may be replaced by refurbished goods of the same type rather than being repaired. Refurbished parts may be used to repair the Product.

© August 2013 Automatic Technology (Australia) Pty Ltd. All rights reserved. TrioCode™128 is a trademarks of Automatic Technology (Australia) Pty Ltd. No part of this document may be reproduced without prior permission. In an ongoing commitment to product quality we reserve the right to change specification without notice. E&OE.