

Smart Phone Control Kit

Tempo (ATS-2) Smart Hub Installation Instructions

Garage Door Openers

NETWORK SMART HUB KIT - ORDER NO. 86953		
ITEM	DESCRIPTION	QTY
1	WIRELESS HUB100 WT B&D	1
2	POWER SUPPLY AU 240V	1
3	WALL BRACKET HUB100	1
4	PLASTIC WALL PLUG 6.9 X 25	2
5	SELF TAPPING SCREW 6 X 25	2
6	NETWORK TRANSCEIVER MODULE	1
7	HARNESS 4 CORE 275 ASSY	1

This device must be connected to power at all times. **DO NOT** disconnect power after setup.



This device allows for operation of the door when not in line-of-sight of the door and opener.

The door may operate unexpectedly, therefore do not allow anything to stay in or near the path of the door. When the door is not operating automatically, watch the door when it is moving and keep people away until the door is completely opened or closed. **Contact with the moving door can cause serious personal injury or damage to property.**



It is our strong recommendation that your opener be fitted with **SAFETY BEAMS**. Safety Beams detect any obstructions in the doors path and override automatic operation if one presents. These must be installed as in accordance with AS/NZS 60335-2-95:2012.

This is in addition to regular professional servicing, and monthly obstruction tests as detailed in your opener's Home Owners Manual.

Important Safety Instructions



WARNING!

- DO NOT attempt to disassemble, repair or modify the product. This will invalidate the warranty.
- DO NOT install product on openers that control J-Type or Single Piece Doors.
- Do not allow children to play with the Smart Hub or your smart phone if the ATA phone app has been installed.
- Keep the device away from water and other liquids. In the event that water or other liquids enter the device, power off the product immediately and clean the device.
- To reduce the risk of fire or electric shock, do not expose this device to rain or moisture. The device should not be exposed to dripping or splashing.
- DO NOT remove the cover as there are no user-serviceable parts inside.



ELECTROCUTION!



CAUTION:

Fall from ladder

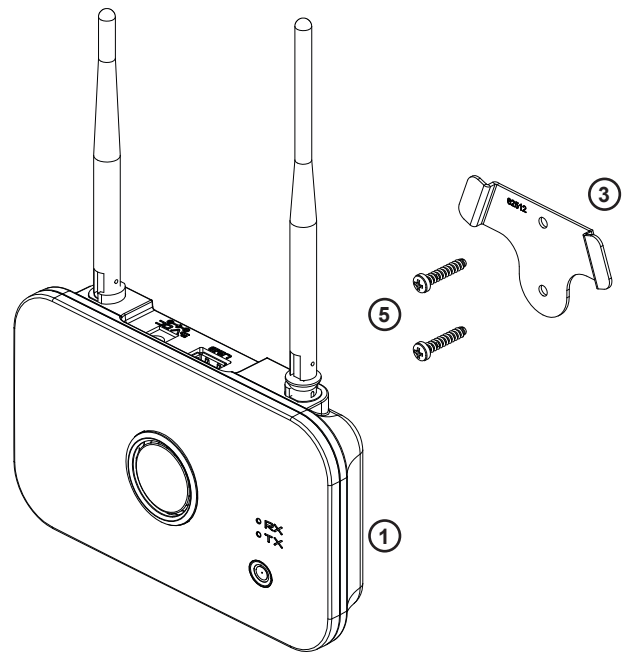
Burns

- Ensure ladder is the correct type for job.
- Ensure ladder is on flat ground.
- Ensure user has 3 points of contact while on ladder.
- DO NOT handle damaged or leaking batteries
- The battery backup kit contains sealed lead-acid batteries that must be disposed of properly at the end of their useful life.

Smart Hub Set Up

Mounting the Hub

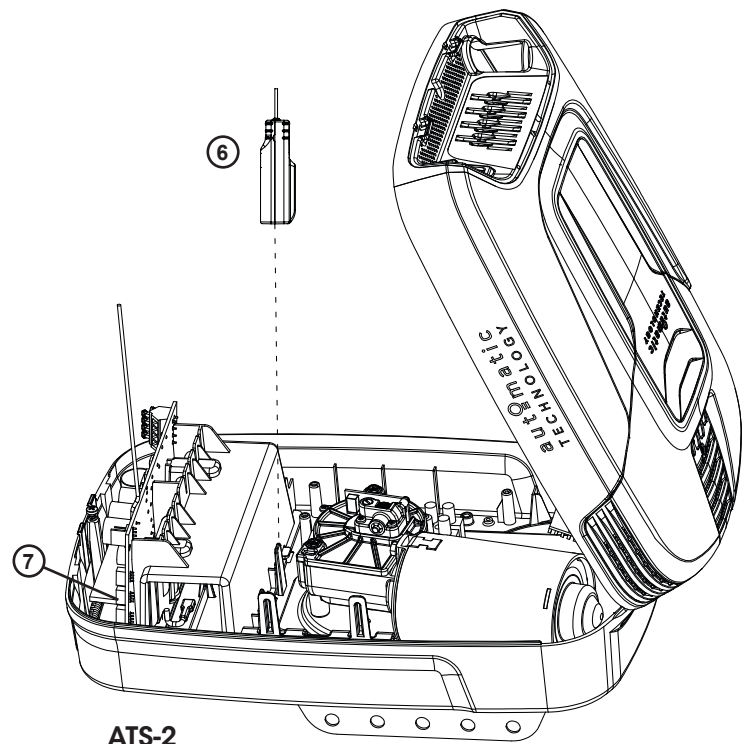
- a. Determine whether you are going to wall mount the hub.
 - i. If hub is to be placed on bench, simply connect to power supply (2), turn on and proceed to installing the Transceiver.
 - ii. If hub is to be wall mounted follow steps below.
- b. To wall mount - Use wall bracket (3) as template to mark where to drill holes. Pre-drill holes.
 - i. For plaster walls - insert (2) two Plastic wall plugs (4) into holes, place wall bracket (3) over holes and affix with (2) two self tapping screws (5).
 - ii. For brick walls - place wall bracket (3) over holes and affix with (2) two self tapping screws (5).
- c. Slide the hub over the bracket.
- d. Connect the power supply (2) and turn on.



**This device must be connected to power at all times.
DO NOT disconnect power after setup.**

Mounting the Transceiver to the Opener

- a. Disconnect the power supply to the opener and open the main cover.
- b. Connect the harness (7) to ACC on the control board, before attaching to the network transceiver module (6) as shown.
- c. Close cover.
- d. Download the ATA App and follow the instructions in the App to setup new smart hub.
- e. Use a programmed remote and run the door through a few cycles which will update the unit with the details of the transceiver module.



Warranty

WARRANTY	
ACCESSORIES	1 year

Refer to our websites for full warranty details;
www.automatictechnology.com.au

If you are a consumer under the Australian Consumer Law, our goods come with guarantees that cannot be excluded under the Australian Consumer Law. You are entitled to a replacement or refund for a major failure and for compensation for any other reasonably foreseeable loss or damage. You are also entitled to have the goods repaired or replaced if the goods fail to be of acceptable quality and the failure does not amount to a major failure. This warranty certificate and other statements contained in this document or other ATA documents given to you do not exclude, restrict or modify the application of all or any of the provisions of the Australian Consumer Law.

Subject to your non-excludable rights under the Australian Consumer Law, ATA expressly excludes any liability for consequential loss, incidental or indirect damages (including but not limited to damages for loss of business profits, business interruption and loss of business information) due to a defect of the Product. In particular, any loss or damage caused to other equipment or accessories used with the product or any loss resulting from a delay in repair is excluded to the extent permitted by law.